



## **ANCHORING CATALOGUE** **19/23/2023 Rev.5**

**SEDE LEGALE / LEGAL ENTITY**

Via Luigi Albertini, 36 D/5 | 60131 Ancona (AN)  
Tel./Phone +39 071 2865015  
P. IVA / VAT: IT 02687550422 | Sdi T04ZHR3



**SEDE OPERATIVA / PRODUCTION PLANT**

Via dell'Agricoltura, 2 | 29012 Caorso (PC)  
Tel./Phone +39 0523 821223  
Mail: info@evelsrl.it

# INDEX

INDEX.....	2
1 – Anchoring on existing beam.....	3
1.1 - Normal or precast concrete beam standard anchoring E_1.....	3
1.2 - Normal or precast concrete beam standard anchoring E_2.....	4
1.3 - Steel beam 1: anchoring sandwich IPE beam.....	5
1.4 - Steel beam 2: anchoring under IPE beam.....	6
Summary table of IPE beam dimensions .....	7
2 – Anchoring on existing structure.....	8
2.1 - Standard anchoring: anchoring with E-beam.....	8
2.2 – Anchoring with metal strip sheet.....	9
2.3 – Anchoring on omega beam.....	10
2.4 – Anchoring under cupolino.....	11
2.5 – Anchoring on barrel ceiling.....	12

## SEDE LEGALE / LEGAL ENTITY

Via Luigi Albertini, 36 D/5 | 60131 Ancona (AN)  
Tel./Phone +39 071 2865015  
P. IVA / VAT: IT 02687550422 | Sdi T04ZHR3

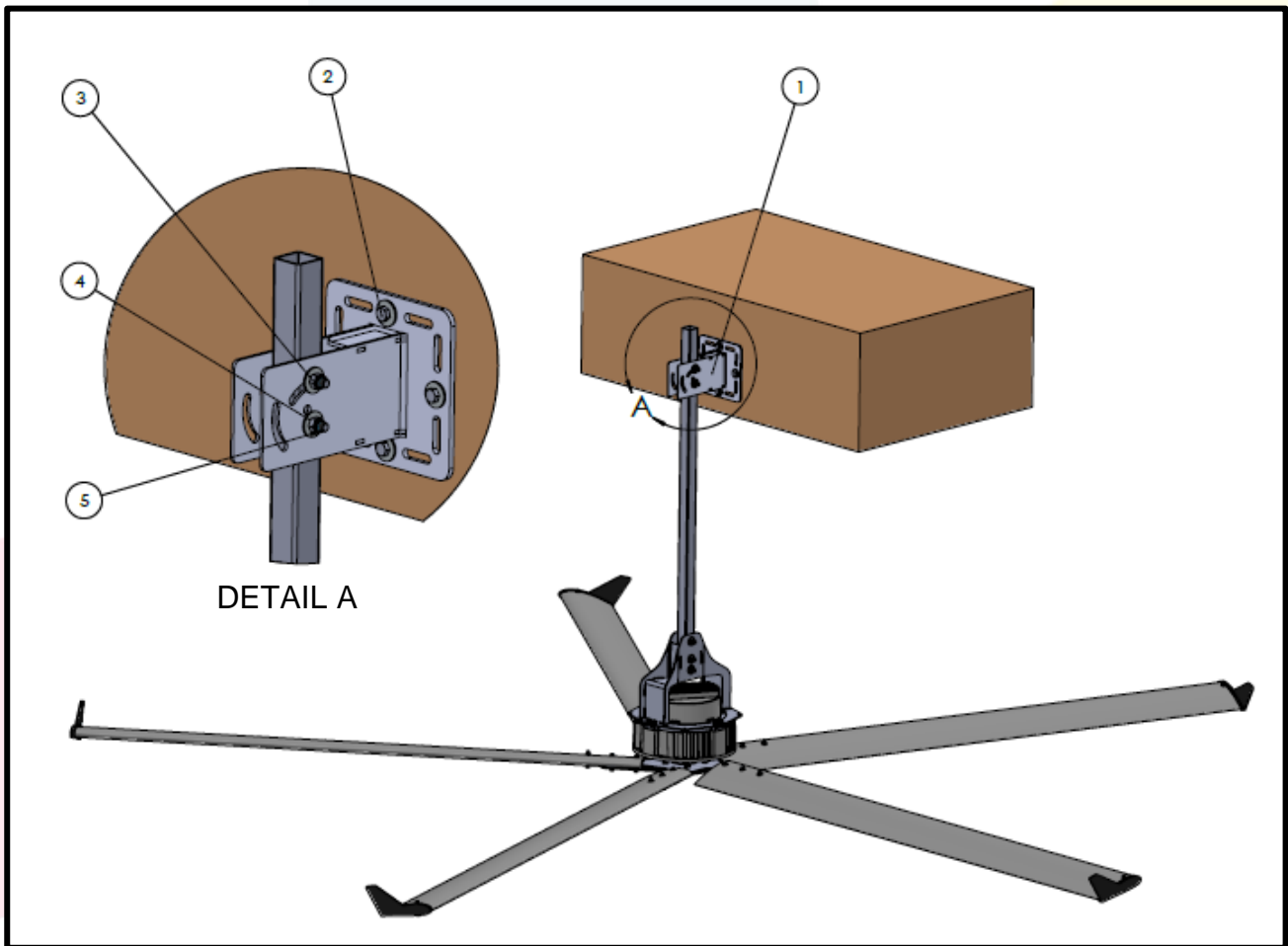


## SEDE OPERATIVA / PRODUCTION PLANT

Via dell'Agricoltura, 2 | 29012 Caorso (PC)  
Tel./Phone +39 0523 821223  
Mail: info@evelsrl.it

# 1- ANCHORING ON EXISITING BEAM

## 1.1 - Normal or precast concrete beam standard anchoring E\_1:



Cod.S-1004

N°	Code	Description	Q.ty
1	501346	Rod holder	1
2	901423	Steel dowel FBN 12/15+35	4
3	901469	Washer M12x36 h2,5	4
4	901470	Screw M12x90	2
5	901471	Self-locking nut M12	2

### SEDE LEGALE / LEGAL ENTITY

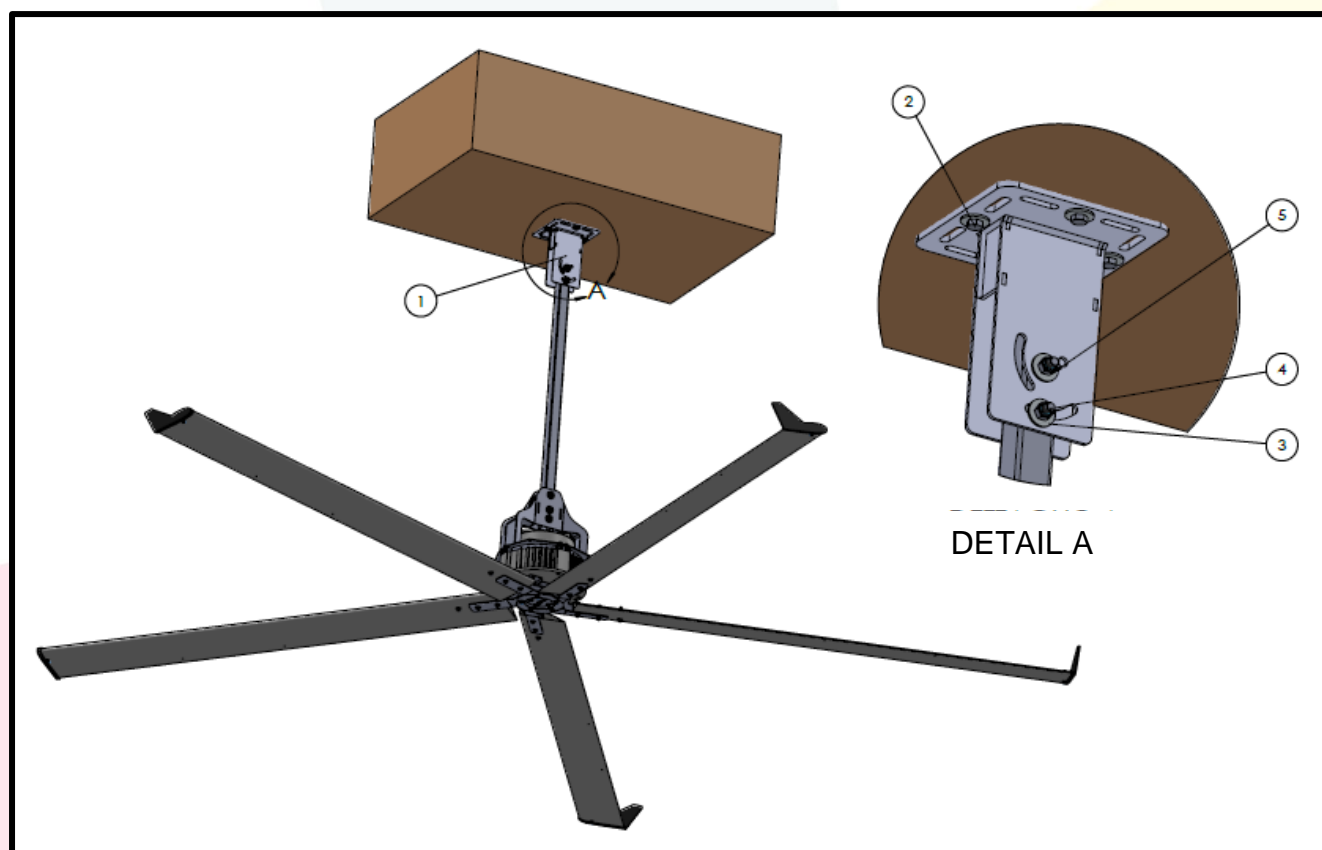
Via Luigi Albertini, 36 D/5 | 60131 Ancona (AN)  
Tel./Phone +39 071 2865015  
P. IVA / VAT: IT 02687550422 | Sdi T04ZHR3



### SEDE OPERATIVA / PRODUCTION PLANT

Via dell'Agricoltura, 2 | 29012 Caorso (PC)  
Tel./Phone +39 0523 821223  
Mail: info@evelsrl.it

## 1.2 - Normal or precast concrete beam standard anchoring E\_2:



Cod.S-1004

N°	Code	Description	Q.ty
1	501346	Rod holder	1
2	901423	Steel dowel FBN 12/15+35	4
3	901469	Washer M12x36 h2,5	4
4	901470	Screw M12x90	2
5	901471	Self-locking nut M12	2

### SEDE LEGALE / LEGAL ENTITY

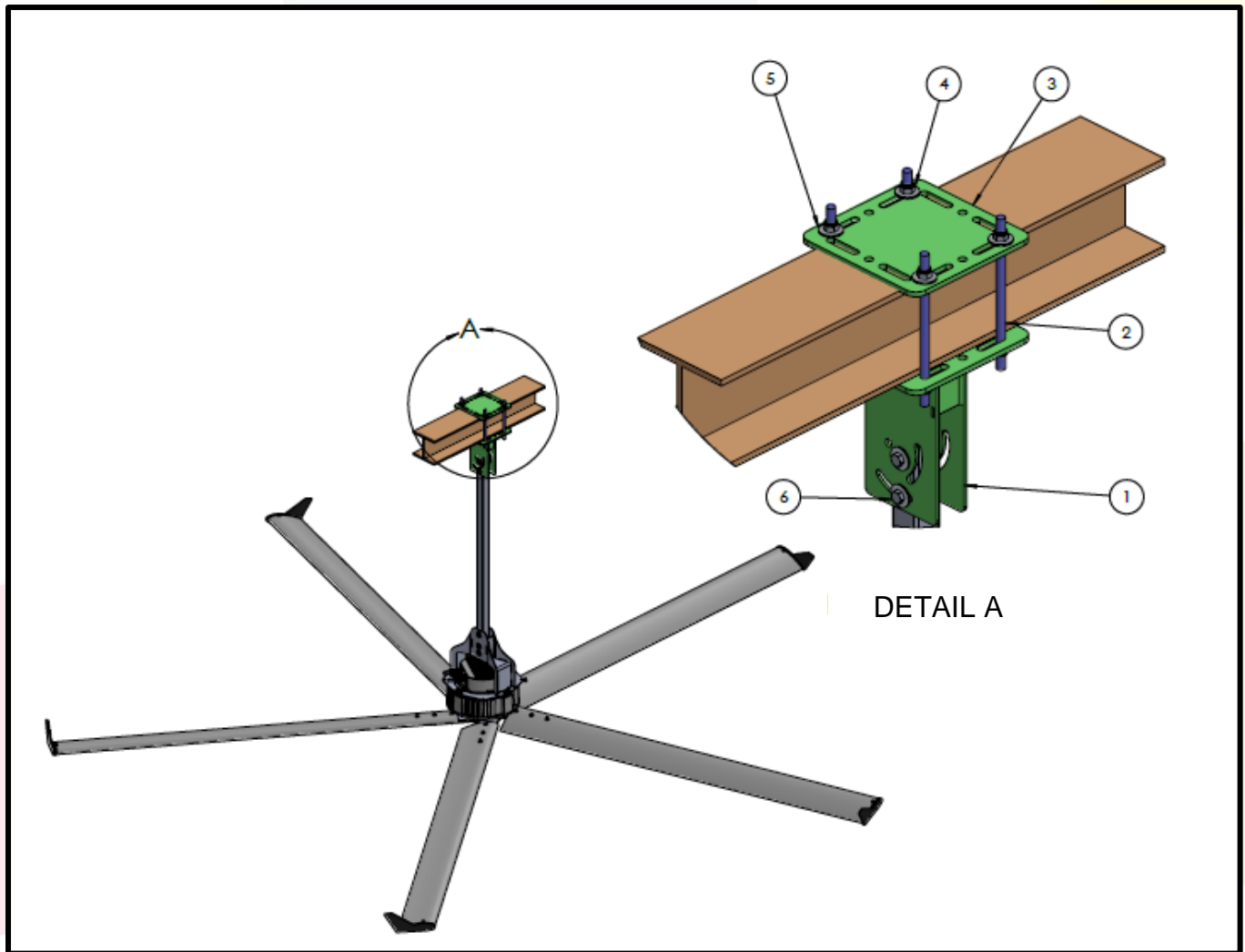
Via Luigi Albertini, 36 D/5 | 60131 Ancona (AN)  
Tel./Phone +39 071 2865015  
P. IVA / VAT: IT 02687550422 | Sdi T04ZHR3



### SEDE OPERATIVA / PRODUCTION PLANT

Via dell'Agricoltura, 2 | 29012 Caorso (PC)  
Tel./Phone +39 0523 821223  
Mail: info@evelsrl.it

### 1.3 - Steel beam 1: anchoring sandwich IPE beam:



Cod. N.A.

N°	Code	Description	Q.ty
1	501346	Rod holder	1
2	901433	Galvanised threaded rod M12x250	4
3	501223	Counter plate	1
4	901471	Self-locking nut M12	10
5	901469	Washer M12x36 h2,5	12
6	901470	Screw M12x90	2
7	901429	Cable clip 4-10mm	4
8	901430	Cable clip 10-15 mm	4

SEDE LEGALE / LEGAL ENTITY

Via Luigi Albertini, 36 D/5 | 60131 Ancona (AN)

Tel./Phone +39 071 2865015

P. IVA / VAT: IT 02687550422 | Sdi T04ZHR3



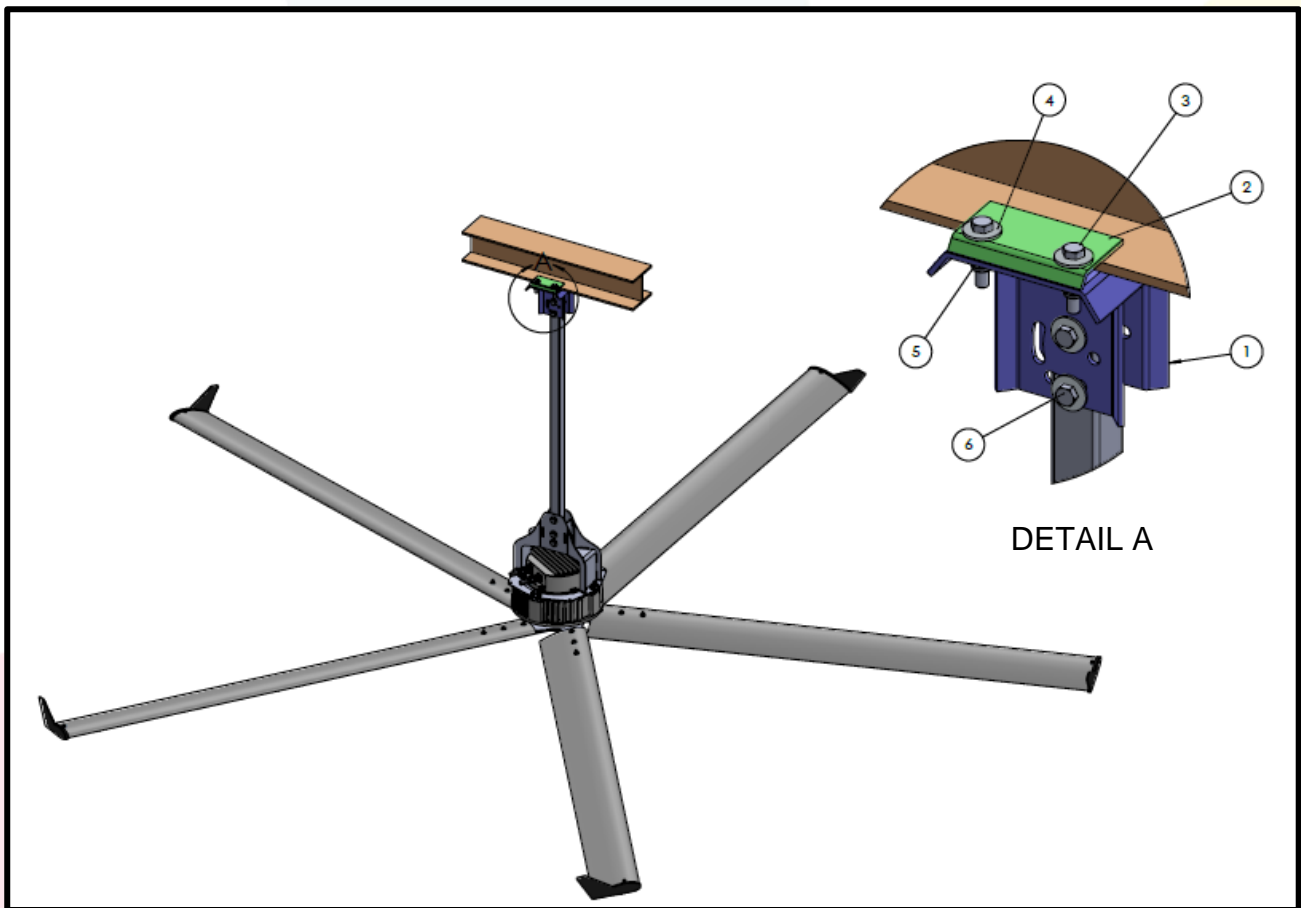
SEDE OPERATIVA / PRODUCTION PLANT

Via dell'Agricoltura, 2 | 29012 Caorso (PC)

Tel./Phone +39 0523 821223

Mail: info@evelsrl.it

## 1.4 - Steel beam 2: anchoring under IPE beam:



Cod S-1007

N°	Code	Description	Q.ty
1	501133	Bracket for IPE beam	1
2	501134	Counter plate for IPE beam	2
3	901425	Screw M12x50	4
4	901469	Washer M12x36 h2,5	12
5	901471	Self-locking nut M12	6
6	901470	Screw M12x90	2
7	901429	Cable clip 4-10mm	4
8	901430	Cable clip 10-15 mm	4

### SEDE LEGALE / LEGAL ENTITY

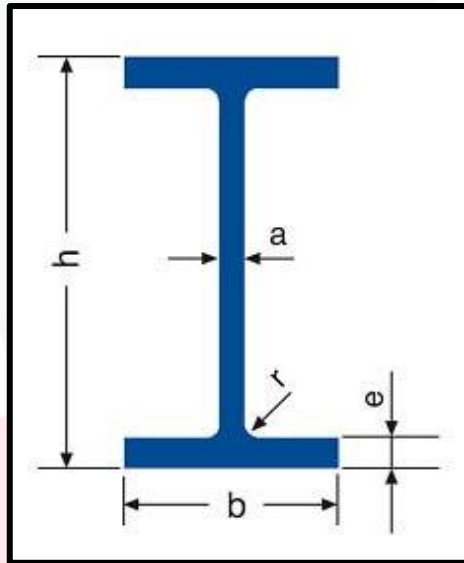
Via Luigi Albertini, 36 D/5 | 60131 Ancona (AN)  
Tel./Phone +39 071 2865015  
P. IVA / VAT: IT 02687550422 | Sdi T04ZHR3



### SEDE OPERATIVA / PRODUCTION PLANT

Via dell'Agricoltura, 2 | 29012 Caorso (PC)  
Tel./Phone +39 0523 821223  
Mail: info@evelsrl.it

## SUMMARY TABLE OF IPE BEAM DIMENSIONS



IPE	h	b	a	e	r	ANCHORAGIN UNDER IPE BEAM	ANCHORAGIN SANDWICH IPE BEAM
	mm	mm	mm	mm	mm		
100	100	55	4,1	5,7	7	No Reccomended	No Reccomended
120	120	64	4,4	6,3	7	No Reccomended	No Reccomended
140	140	73	4,7	6,9	7	No Reccomended	No Reccomended
160	160	82	5	7,4	9	No Reccomended	Reccomended
180	180	91	5,3	8	9	Reccomended	Reccomended
200	200	100	5,6	8,5	12	Reccomended	Reccomended
220	220	110	5,9	9,2	12	Reccomended	Reccomended
240	240	120	6,2	9,8	15	Reccomended	Reccomended
270	270	135	6,6	10,2	15	Reccomended	Reccomended
300	300	150	7,1	10,7	15	Reccomended	Reccomended
330	330	160	7,5	11,5	18	Reccomended	Reccomended
360	360	170	8	12,7	18	Reccomended	Reccomended
400	400	180	8,6	13,5	21	Reccomended	No Reccomended

### SEDE LEGALE / LEGAL ENTITY

Via Luigi Albertini, 36 D/5 | 60131 Ancona (AN)  
Tel./Phone +39 071 2865015  
P. IVA / VAT: IT 02687550422 | Sdi T04ZHR3

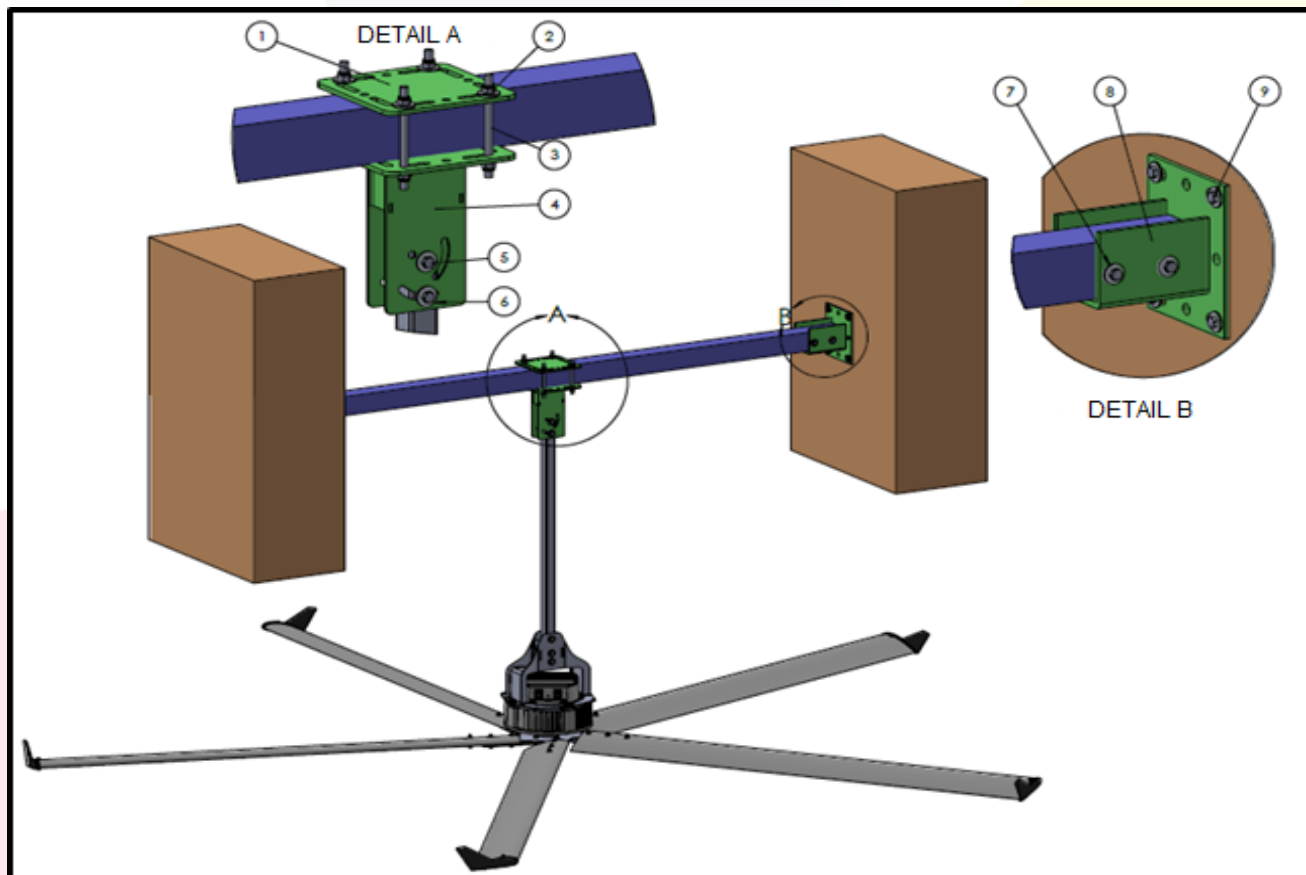


### SEDE OPERATIVA / PRODUCTION PLANT

Via dell'Agricoltura, 2 | 29012 Caorso (PC)  
Tel./Phone +39 0523 821223  
Mail: [info@evelsrl.it](mailto:info@evelsrl.it)

## 2 - ANCHORAGE ON EXISTING STRUCTURE

### 2.1 - Standard anchorage: anchoring with E-beam



Cod.S-1009

N°	Code	Description (only components shown in detail A and B are included)	Q.ty
1	501223	Counter plate	1
2	901471	Self-locking nut M12	18
3	901433	Galvanised threaded rod M12x250	8
4	501346	Rod holder	1
5	901470	Screw M12x90	2
6	901469	Washer M12x36 h2,5	12
7	902018	Washer M12x24	8
8	0081	Galvanised fan support bracket	2
9	901423	Steel dowel FBN 12/15+35	8

SEDE LEGALE / LEGAL ENTITY

Via Luigi Albertini, 36 D/5 | 60131 Ancona (AN)  
Tel./Phone +39 071 2865015  
P. IVA / VAT: IT 02687550422 | Sdi T04ZHR3

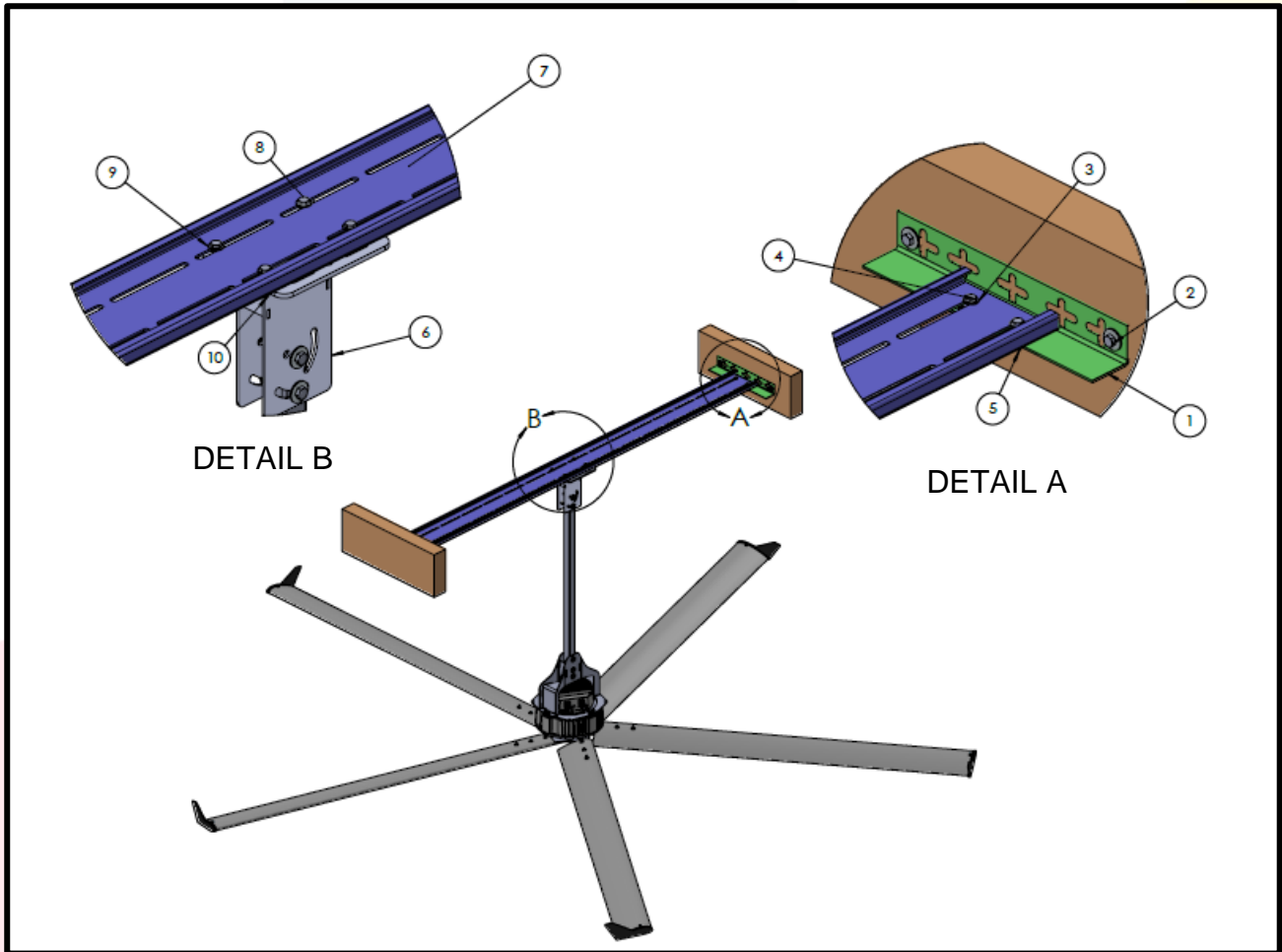


SEDE OPERATIVA / PRODUCTION PLANT

Via dell'Agricoltura, 2 | 29012 Caorso (PC)  
Tel./Phone +39 0523 821223  
Mail: info@evelsrl.it



## 2.2 - Anchoring with metal strip sheet:



Cod.S-1013+0083

N°	Code	Description	Q.ty
1	0084	L-bracket for HVLS support galvanised	2
2	901423	Steel dowel FBN 12/15+35	4
3	901487	Screw M10x50	4
4	801331	Washer glower diam.10 Z	8
5	901467	Self-locking nut M10	4
6	501346	Rod holder	1
7	0083	Metal strip sheet	3m
8	901425	Screw M12x50	4
9	901469	Washer M12x36 H2,5	8
10	901471	Self-locking nut M12	4

### SEDE LEGALE / LEGAL ENTITY

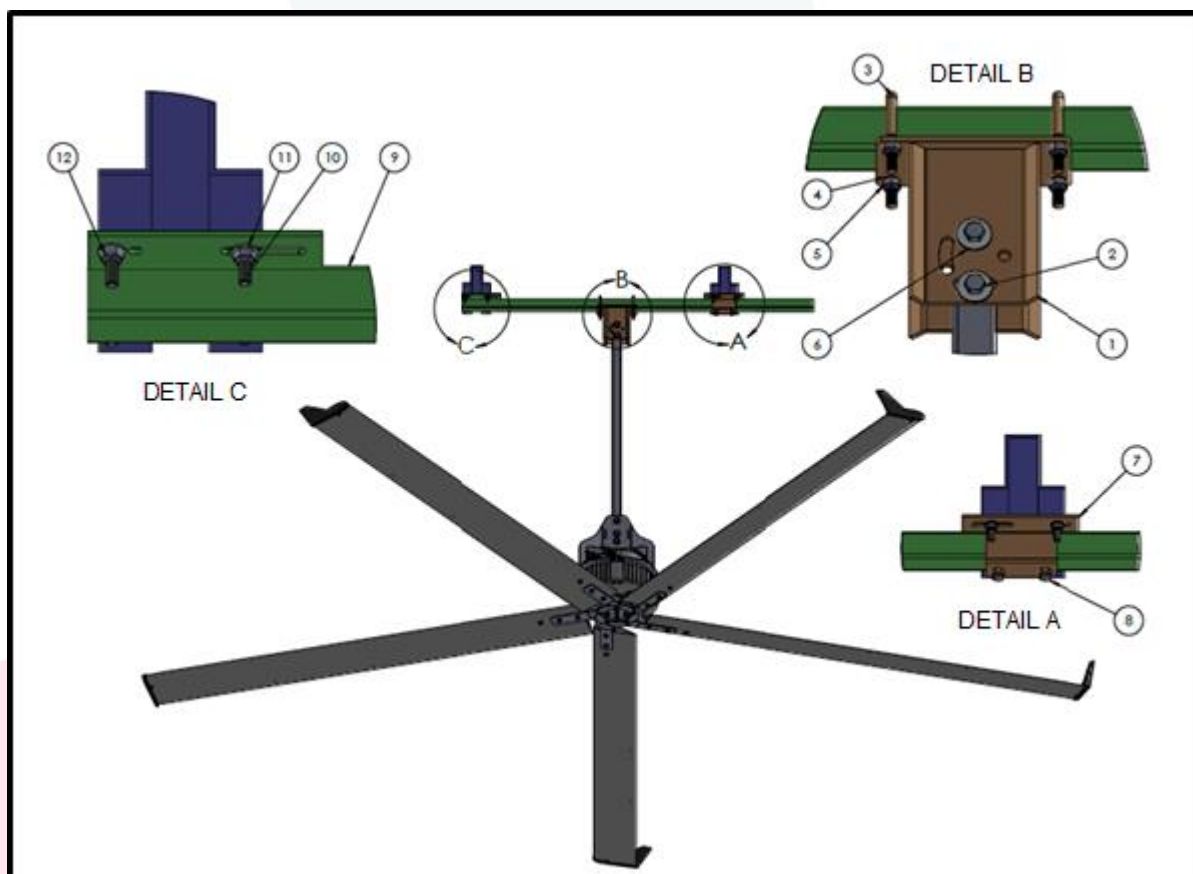
Via Luigi Albertini, 36 D/5 | 60131 Ancona (AN)  
Tel./Phone +39 071 2865015  
P. IVA / VAT: IT 02687550422 | Sdi T04ZHR3



### SEDE OPERATIVA / PRODUCTION PLANT

Via dell'Agricoltura, 2 | 29012 Caorso (PC)  
Tel./Phone +39 0523 821223  
Mail: info@evelsrl.it

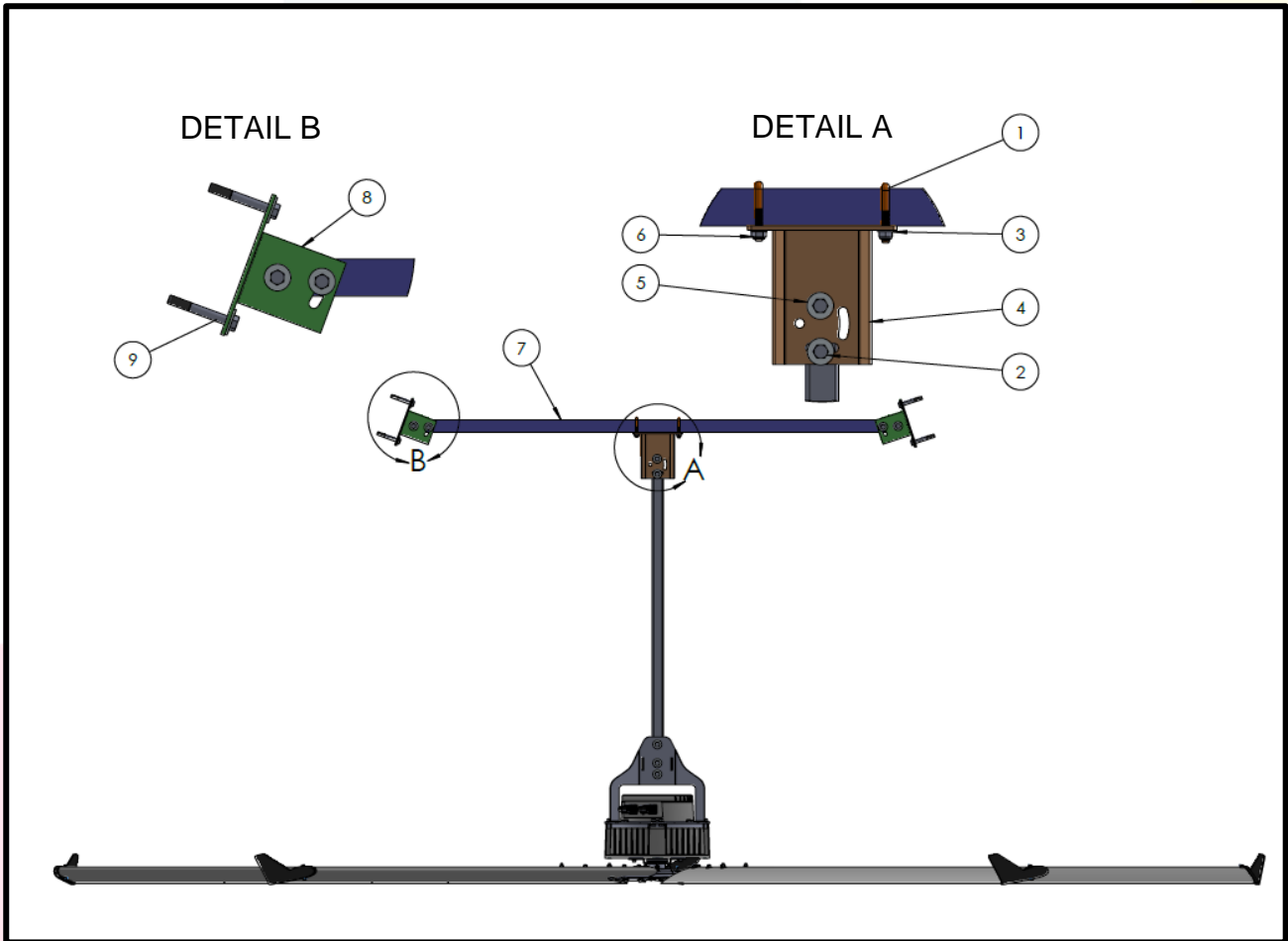
## 2.3 - Anchoring on omega beam:



Cod.S-1002

N°	Code	Description	Q.ty
1	0098	Under-beam ventilation bracket	1
2	901470	Screw M12x90	2
3	901494	Tubular U-bolt 50X50 M12	2
4	902018	Washer M12x24	4
5	901471	Self-locking nut M12	6
6	901469	Washer M12x36 h2,5	4
7	0097	Sliding bracket for omega	1
8	901492	Screw M12x30	2
9	0087	Bracket+welded pole for omega	1
10	901481	Screw M10x35	8
11	901467	Self-locking nut M10	8
12	901466	Washer 10,5x20 h2	16
	901428	Cable clip 1,5-4mm	5

## 2.4 - Anchoring under cupolino:



Cod.S1003B

N°	Code	Description	Q.ty
1	901494	Tubular U-bolt 50X50 M12	2
2	901470	Screw M12x90	6
3	902018	Washer M12x24	4
4	0098	Under-beam ventilation bracket	1
5	901469	Washer M12x36 h2,5	12
6	901471	Self-locking nut M12	10
7	0078	Beam under cupolino 50x50x3	1
8	501348	Jolly ventilation bracket	2
9	901423	Steel dowel FBN 12/15+35	8

### SEDE LEGALE / LEGAL ENTITY

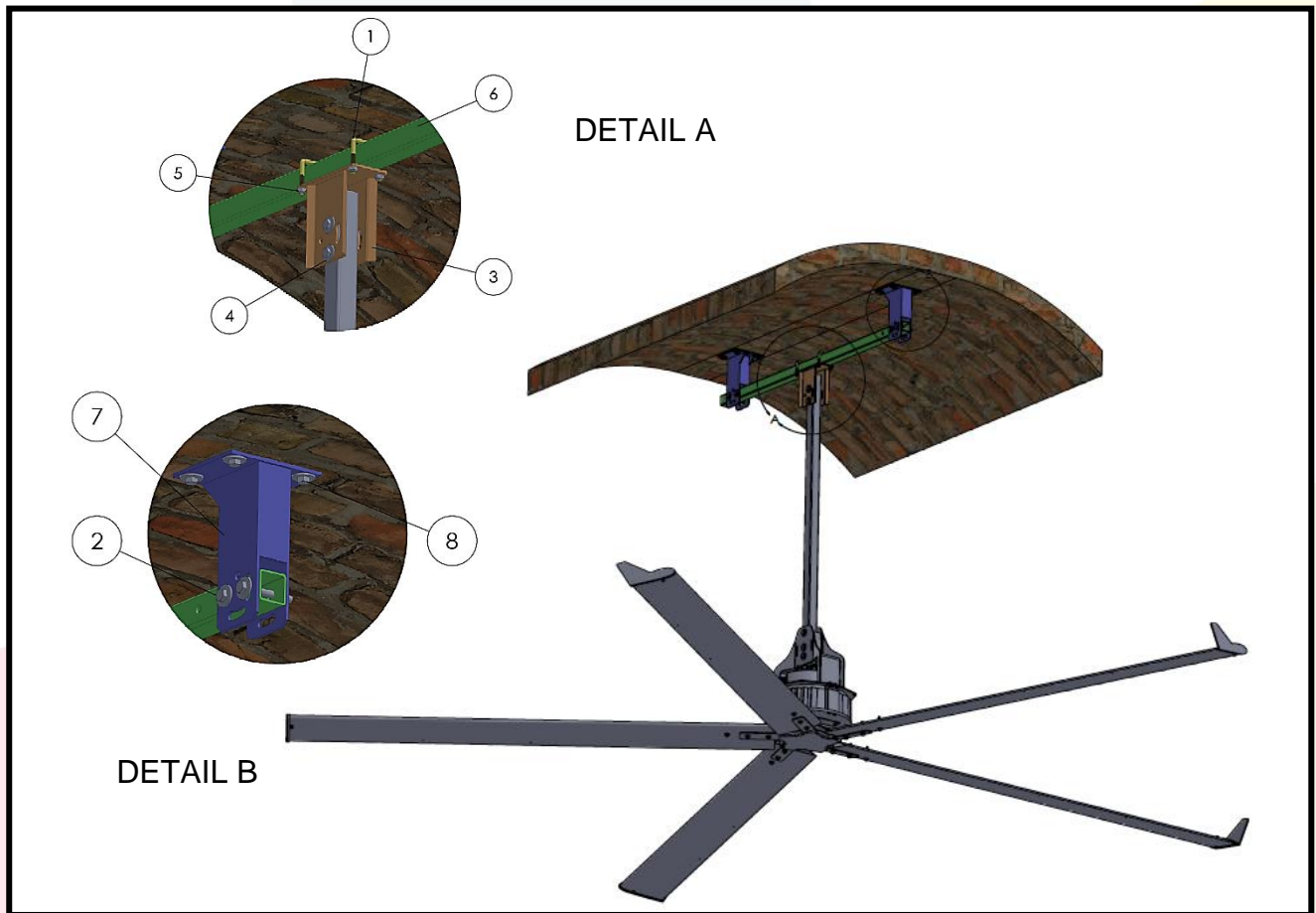
Via Luigi Albertini, 36 D/5 | 60131 Ancona (AN)  
Tel./Phone +39 071 2865015  
P. IVA / VAT: IT 02687550422 | Sdi T04ZHR3



### SEDE OPERATIVA / PRODUCTION PLANT

Via dell'Agricoltura, 2 | 29012 Caorso (PC)  
Tel./Phone +39 0523 821223  
Mail: info@evelsrl.it

## 2.4 - Anchoring on barrel ceiling:



Cod.S-1014

N°	Code	Description	Q.ty
1	901494	Tubular U-bolt 50X50 M12	2
2	901470	Screw M12x90	4
3	0098	Under-beam ventilation bracket	1
4	901469	Washer M12x36 h2,5	12
5	901471	Self-locking nut M12	12
6	501347	Pole 50x50	1
7	501349	Ventilation bracket	2
8	901423	Steel dowel FBN 12/15+35	8

### SEDE LEGALE / LEGAL ENTITY

Via Luigi Albertini, 36 D/5 | 60131 Ancona (AN)  
Tel./Phone +39 071 2865015  
P. IVA / VAT: IT 02687550422 | Sdi T04ZHR3



### SEDE OPERATIVA / PRODUCTION PLANT

Via dell'Agricoltura, 2 | 29012 Caorso (PC)  
Tel./Phone +39 0523 821223  
Mail: info@evelsrl.it